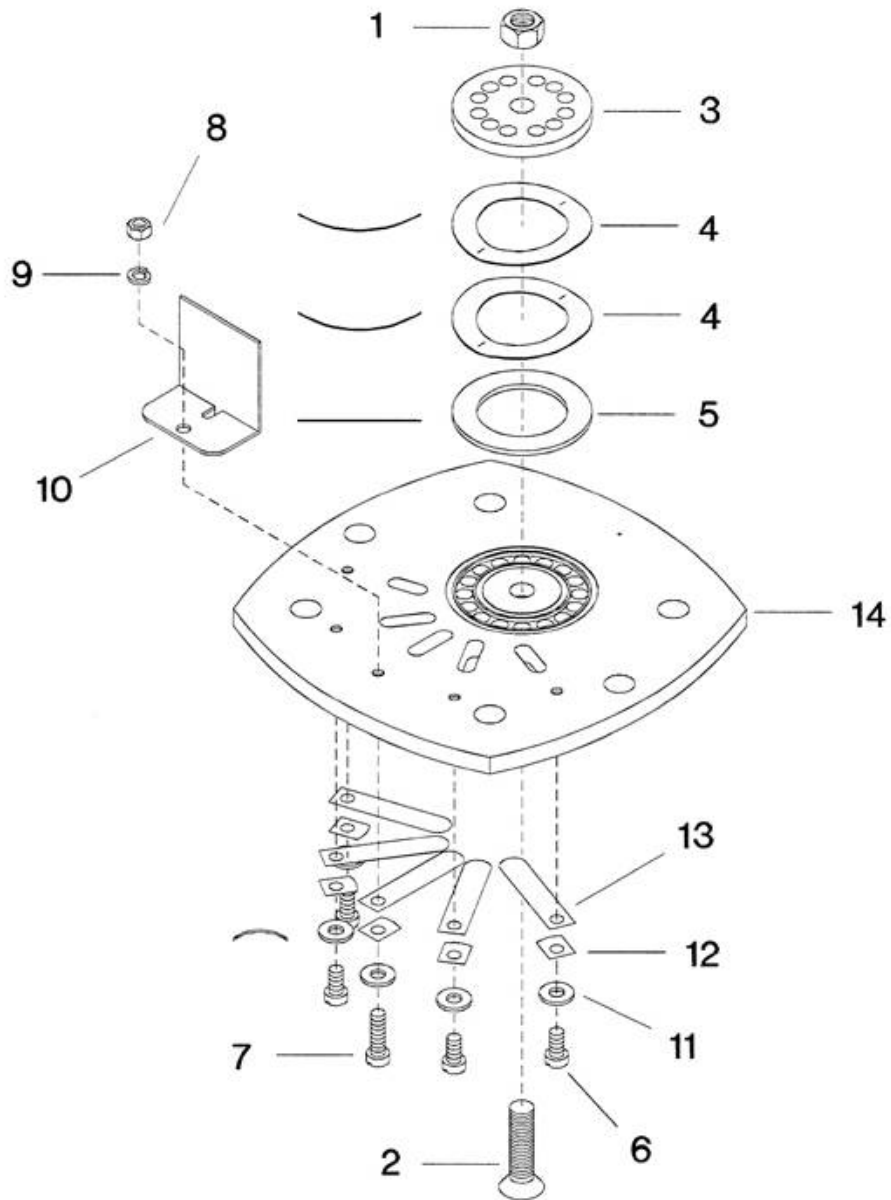


3. Second Stage Valve Plate Assembly - Model 7100



All manufacturer's names, numbers, photos, product description and/or part numbers are used for reference purposes only & it is not implied that any part listed is the product of these manufacturers. Since Approvement are made from time to time, the illustration and specifications are subject to change without notice.

3. Second Stage Valve Plate Assembly - Model 7100

REF. NO.	PART NO.	DESCRIPTION	QTY.	SPARES		
				1	2	3
REF.	32228322	ASS'Y, SECOND STAGE VALVE PLATE (SEE 2-16)	1		1	2
3-1	97166946	• NUT, WHIZ-LOCK - 7/16-14 HEX	1	1	1	1
3-2	32223927	• BOLT, VALVE	1	1	1	1
3-3	32228264	• PLATE, STOP - DISCHARGE	1			
3-4	30221394	• SPRING, VALVE - DISCHARGE	2	2	2	2
3-5	30215917	• PLATE, VALVE - DISCHARGE	1	1	1	1
3-6	32035511	• SCREW, FILLISTER HEAD - 1/4-20 X 3/8"	4	4	4	4
3-7	32224008	• SCREW, MACHINE - FILLISTER HEAD - 1/4-20 X 3/4"	1	1	1	1
3-8	95416335	• NUT, HEX - 1/4-20	1	1	1	1
3-9	32035479	• LOCKWASHER, SPRING - 1/4"	1	1	1	1
3-10	32223919	• DIFFUSER, VALVE PLATE	1			
3-11	32217382	• WASHER, BELLEVILLE - 1/4"	5	5	5	5
3-12	32228306	• RETAINER, FINGER VALVE	5	5	5	5
3-13	30220115	• VALVE, FINGER	5	5	5	5
3-14	32228256	• PLATE, VALVE SEAT	1			

All manufacturer's names, numbers, photos, product description and/or part numbers are used for reference purposes only & it is not implied that any part listed is the product of these manufacturers. Since Approvement are made from time to time, the illustration and specifications are subject to change without notice.